

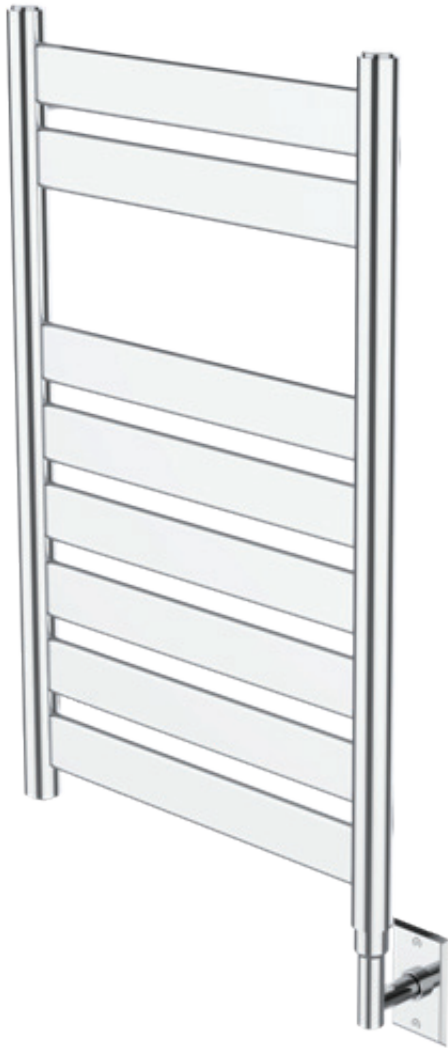


**AUGUSTA**  
Towel Warmer  
Chauffe-serviettes  
Calentador de toallas

**PRODUCT SPECIFICATION SHEET**

**AUGUSTA SERIES**

AGS-0800500-PC



**FEATURES**

- WALL MOUNTED
  - HARDWIRE INSTALLATION KIT
  - MOUNTING INSTRUCTIONS
  - ALL ELECTRIC AND OIL FILLED
  - COVER PLATES
- TIMERS AVAILABLE SEPARATELY (NOT INCLUDED)

**SIZES**

- 800x500 MM
- 1200x600 MM

**STOCKED FINISHES**

- POLISHED CHROME (PC)
- POLISHED NICKEL (PN)
- BRUSHED NICKEL (BN)
- MATTE BLACK (MB)



AGS-0800500-BN

AGS-0800500-PN

AGS-0800500-MB

SEE OVER FOR SPECIFICATION DRAWINGS

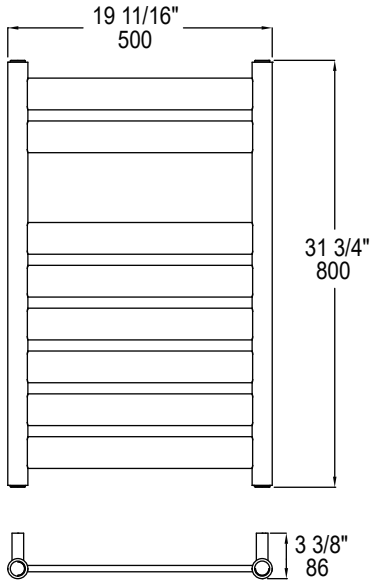
Product Code	Finishes	Sizes (mm)		Sizes (Inches)		Output (Watts/BTU)	Element Size	Number of Elements
		Height	Width	Height	Width			
AGS-0800500	PC, BN, PN, MB	800	500	31.5	19.69	262 / 895	150W	8
AGS-1200500	PC, BN, PN, MB	1200	500	47.24	19.69	393 / 1342	300W	12



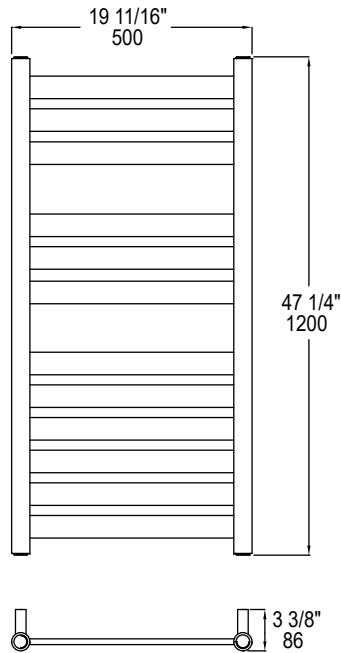
Distributed by Kartners Bathroom Accessories  
toll free number: 1-877-490-3537  
website: [www.vernontowelwarmers.com](http://www.vernontowelwarmers.com)

Email: [support@vernontowelwarmers.com](mailto:support@vernontowelwarmers.com)

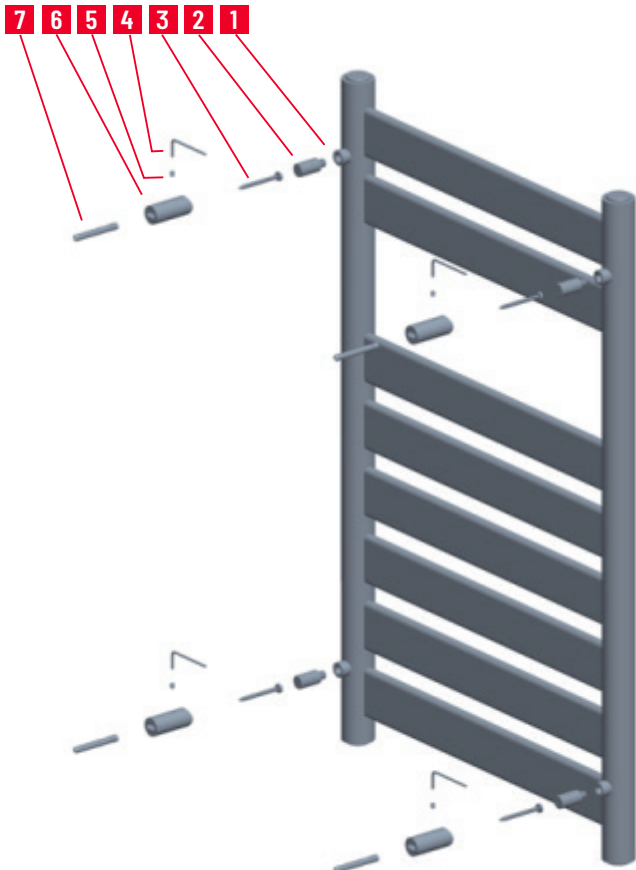
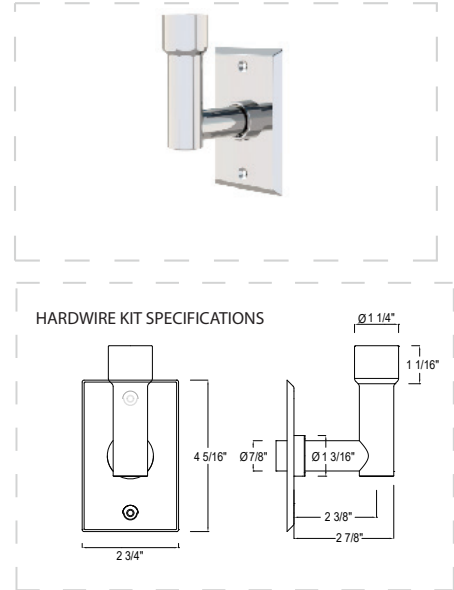
AGS-0800500



AGS-1200500



Vernon Towel Warmer Hardwire Kit Round -PC  
Code: VTW-HWK-RD-PC



Installation  
Diagram 3  
- Augusta

1. Solid fixing lug
2. Wall support core
3. Wall screw
4. Allen key
5. Grub screw
6. Wall support
7. Wall plug

TIMERS AVAILABLE



VPT24-1PZ



DDS15-BDZ