

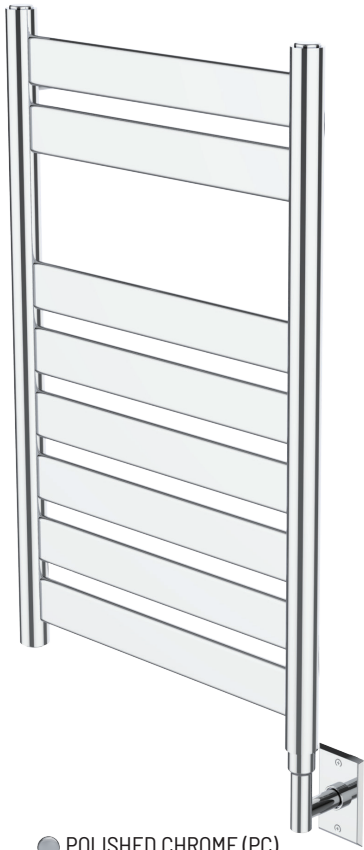


Towel Warmers

PRODUCT SPECIFICATION SHEET

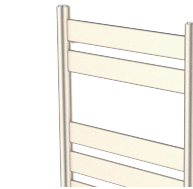
AUGUSTA SERIES TOWEL WARMER

Chauffe-serviettes
Calentador de toallas

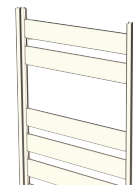


● POLISHED CHROME (PC)
AGS-0800500-PC

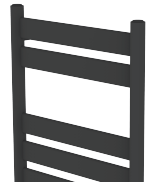
STOCKED FINISHES



● BRUSHED NICKEL (BN)
AGS-0800500-BN



● POLISHED NICKEL (PN)
AGS-0800500-PN



● MATTE BLACK (MB)
AGS-0800500-MB

FEATURES

- Wall Mounted
- Hardwire Installation Kit
- Mounting Instruction All
- Electric and Fluid Filled
- Cover Plates

Timers available separately (not included)

SIZES

800 x 500 mm
1200 x 500 mm

SEE PAGE 2 FOR SPECIFICATION DRAWINGS

Product Code	Finishes	Sizes (mm)		Sizes (Inches)		Output (Watts / BTU)	Element Size	Number of Bars
		Height	Width	Height	Width			
AGS-0800500	PC, BN, PN	800	500	31.5	19.69	262 / 895	150W	8
AGS-0800500	MB	800	500	31.5	19.69	332 / 1133	300W	8
AGS-1200500	PC, BN, PN	1200	500	47.24	19.69	393 / 1342	300W	12
AGS-1200500	MB	1200	500	47.24	19.69	498 / 1699	400W	12



Intertek

NOTE: Dimensions and specifications are subject to change without notice.



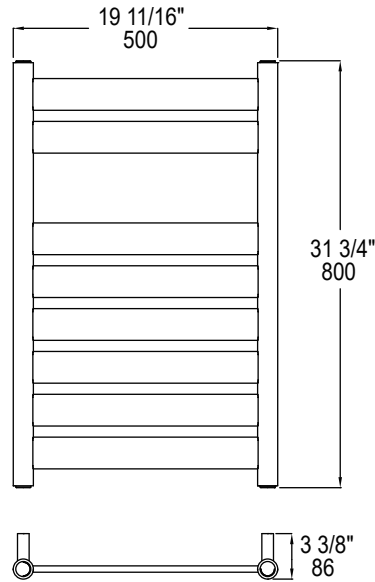
Towel Warmers

PRODUCT SPECIFICATION SHEET

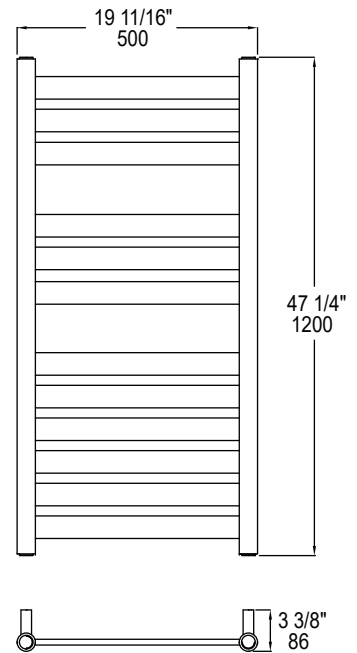
AUGUSTA SERIES TOWEL WARMER

Chauffe-serviettes
Calentador de toallas

AGS-0800500

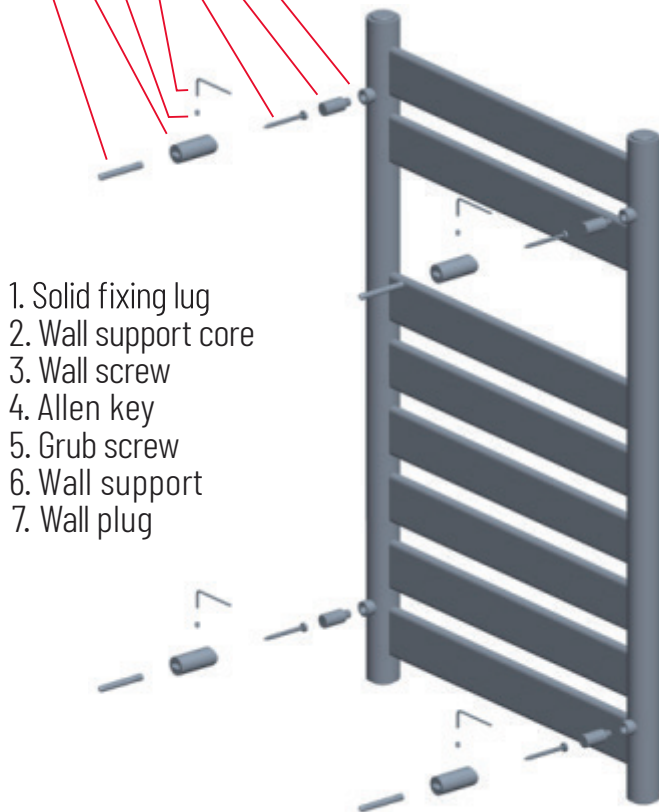


AGS-1200500

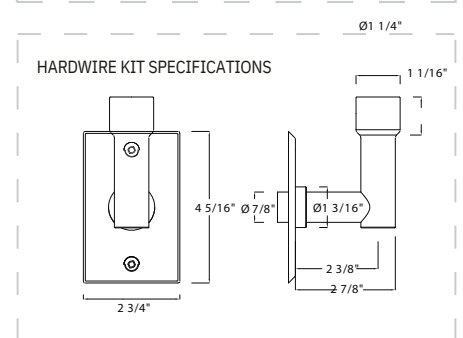


Vernon Towel Warmer Hardwire Kit Round -PC
Code: VTW-HWK-RD-PC

- 7
- 6
- 5
- 4
- 3
- 2
- 1



1. Solid fixing lug
2. Wall support core
3. Wall screw
4. Allen key
5. Grub screw
6. Wall support
7. Wall plug



TIMERS AVAILABLE

Visit verrontowelwarmers.com for details



NOTE: Dimensions and specifications are subject to change without notice.