



BOSTON
Towel Warmer
Chauffe-serviettes
Calentador de toallas

PRODUCT SPECIFICATION SHEET

BOSTON SERIES

BOS-0800500-PC



FEATURES

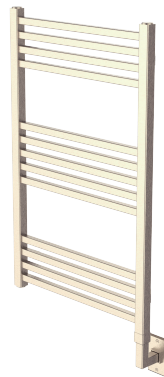
- WALL MOUNTED
 - HARDWIRE INSTALLATION KIT
 - MOUNTING INSTRUCTIONS
 - ALL ELECTRIC AND OIL FILLED
 - COVER PLATES
- TIMERS AVAILABLE SEPARATELY (NOT INCLUDED)

SIZES

- 540x500 MM
- 800x500 MM
- 1200x600 MM

STOCKED FINISHES

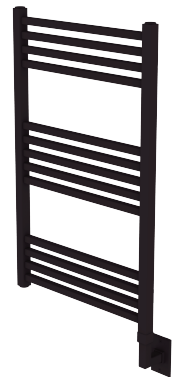
- POLISHED CHROME (PC)
- POLISHED NICKEL (PN)
- BRUSHED NICKEL (BN)
- MATTE BLACK (MB)



BOS-0800500-BN



BOS-0800500-PN



BOS-0800500-MB

SEE OVER FOR SPECIFICATION DRAWINGS

Product Code	Finishes	Sizes (mm)		Sizes (Inches)		Output (Watts/BTU)	Element Size	Number of Elements
		Height	Width	Height	Width			
BOS-0800500	PC, BN, PN, MB	800	500	31.5	19.69	255 / 870	150W	13
BOS-1200600	PC, BN, PN, MB	1200	600	47.24	23.62	452 / 1543	300W	20
BOS-0540500	PC, MB	540	500	21.26	19.69	147 / 503	100W	7



Distributed by Kartners Bathroom Accessories
toll free number: 1-877-490-3537
website: www.vernontowelwarmers.com

Email: support@vernontowelwarmers.com

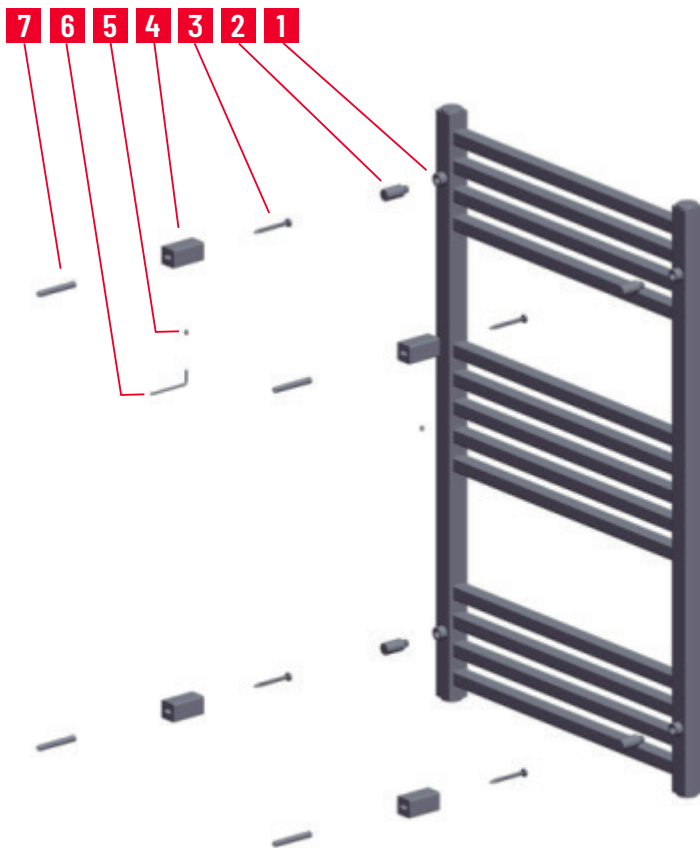
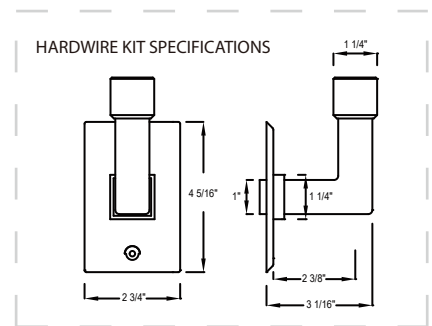
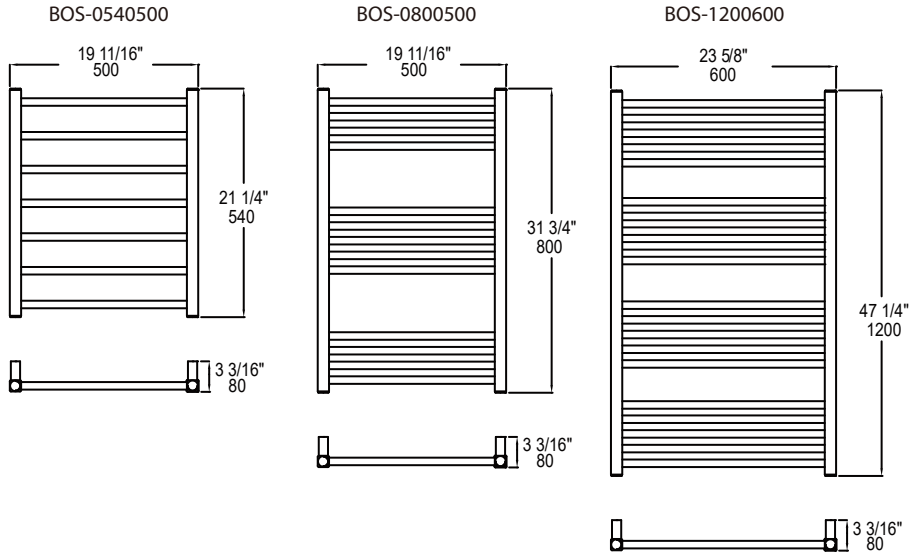


BOSTON

Towel Warmer
 Chauffe-serviettes
 Calentador de toallas

PRODUCT SPECIFICATION SHEET

Vernon Towel Warmer Hardwire Kit Square -PC
 Code: VTW-HWK-SQ-PC



Installation Diagram 3 - Boston

1. Solid fixing lug
2. Wall support core
3. Wall screw
4. Wall support
5. Grub screw
6. Allen Key
7. Wall plug

TIMERS AVAILABLE



VPT24-1PZ



DDS15-BDZ



Distributed by Kartners Bathroom Accessories
 toll free number: 1-877-490-3537
 website: www.vernontowelwarmers.com

Email: support@vernontowelwarmers.com