

BOSTON SERIES TOWEL WARMER

Chauffe-serviettes
Calentador de toallas



● POLISHED CHROME (PC)
BOS-0800500-PC

STOCKED FINISHES



● BRUSHED NICKEL (BN)
BOS-0800500-BN



● POLISHED NICKEL (PN)
BOS-0800500-PN



● MATTE BLACK (MB)
BOS-0800500-MB

FEATURES

- Wall Mounted
- Hardwire Installation Kit
- Mounting Instruction
- All Electric and Oil Filled
- Cover Plates

Timers available separately (not included)

SIZES

540 x 500 mm
800 x 600 mm
1200 x 600 mm

SEE PAGE 2 FOR SPECIFICATION DRAWINGS

Product Code	Finishes	Sizes (mm)		Sizes (Inches)		Output (Watts / BTU)	Element Size	Number of Elements
		Height	Width	Height	Width			
BOS-0800500	PC, BN, PN, MB	800	500	31.5	19.69	255 / 870	150W	13
BOS-1200600	PC, BN, PN, MB	1200	600	47.24	23.62	452 / 1543	300W	20
BOS-0540500	PC, MB	540	500	21.26	19.69	147 / 503	100W	7



NOTE: Dimensions and specifications are subject to change without notice.

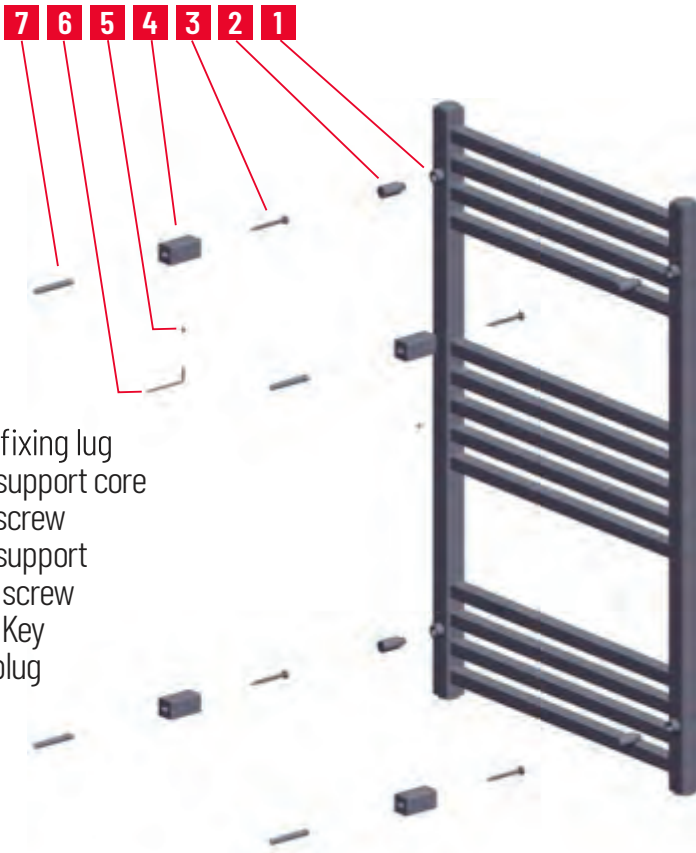
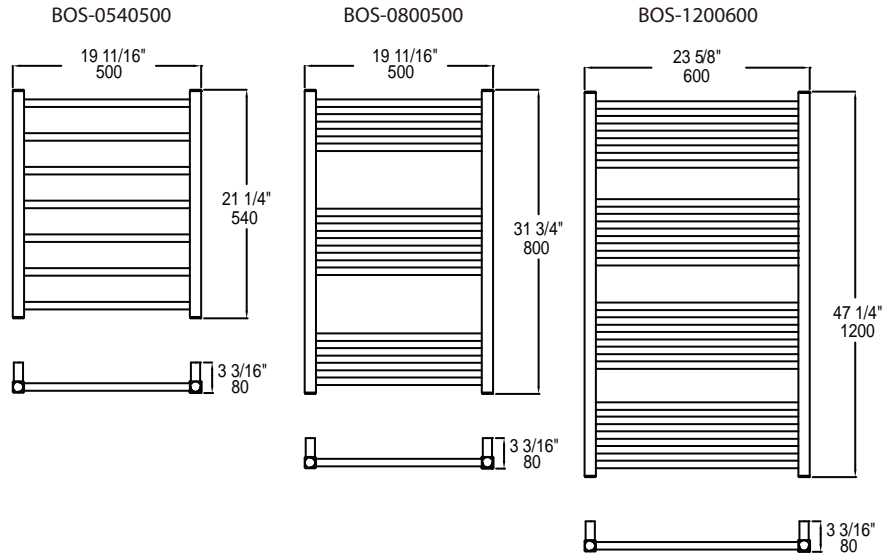


Towel Warmers

PRODUCT SPECIFICATION SHEET

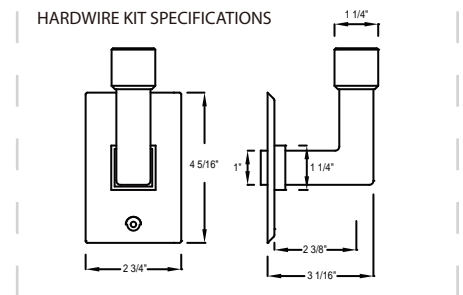
BOSTON SERIES TOWEL WARMER

Chauffe-serviettes
Calentador de toallas



1. Solid fixing lug
2. Wall support core
3. Wall screw
4. Wall support
5. Grub screw
6. Allen Key
7. Wall plug

Vernon Towel Warmer Hardwire Kit Round -PC
Code: VTW-HWK-RD-PC



TIMERS AVAILABLE

Visit verrontowelwarmers.com for details



NOTE: Dimensions and specifications are subject to change without notice.