



DALLAS
Towel Warmer
Chauffe-serviettes
Calentador de toallas

PRODUCT SPECIFICATION SHEET

DALLAS SERIES

DAL-0800600-PC



FEATURES

- WALL MOUNTED
 - HARDWIRE INSTALLATION KIT
 - MOUNTING INSTRUCTIONS
 - ALL ELECTRIC AND OIL FILLED
 - COVER PLATES
- TIMERS AVAILABLE SEPARATELY (NOT INCLUDED)

SIZES

- 800x600 MM
- 1200x600 MM

STOCKED FINISHES

- POLISHED CHROME (PC)
- BRUSHED NICKEL (BN)
- MATTE BLACK (MB)



DAL-0800600-BN



DAL-0800600-MB

SEE OVER FOR SPECIFICATION DRAWINGS

Product Code	Finishes	Sizes (mm)		Sizes (Inches)		Output (Watts/BTU)	Element Size	Number of Elements
		Height	Width	Height	Width			
DAL - 0800600	PC, BN, MB	800	600	31.5	23.62	293 / 1000	150W	13
DAL - 1200600	PC, BN, MB	1200	600	47.24	23.62	448 / 1528	300W	20



Distributed by Kartners Bathroom Accessories
toll free number: 1-877-490-3537
website: www.vernontowelwarmers.com

Email: support@vernontowelwarmers.com

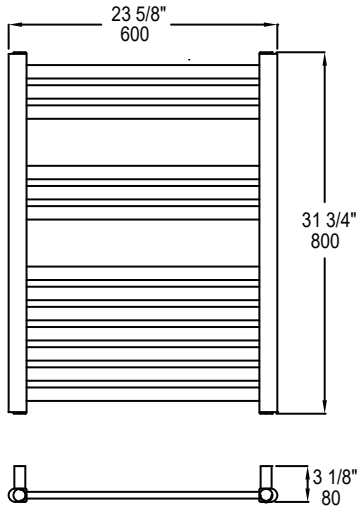


DALLAS

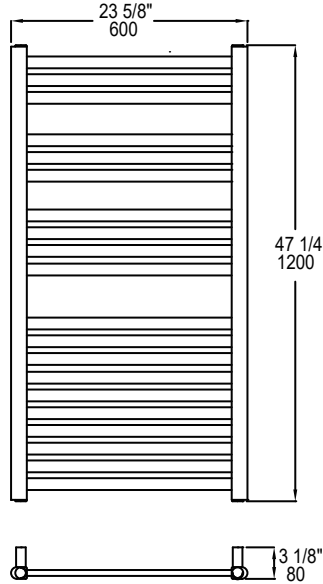
Towel Warmer
 Chauffe-serviettes
 Calentador de toallas

PRODUCT SPECIFICATION SHEET

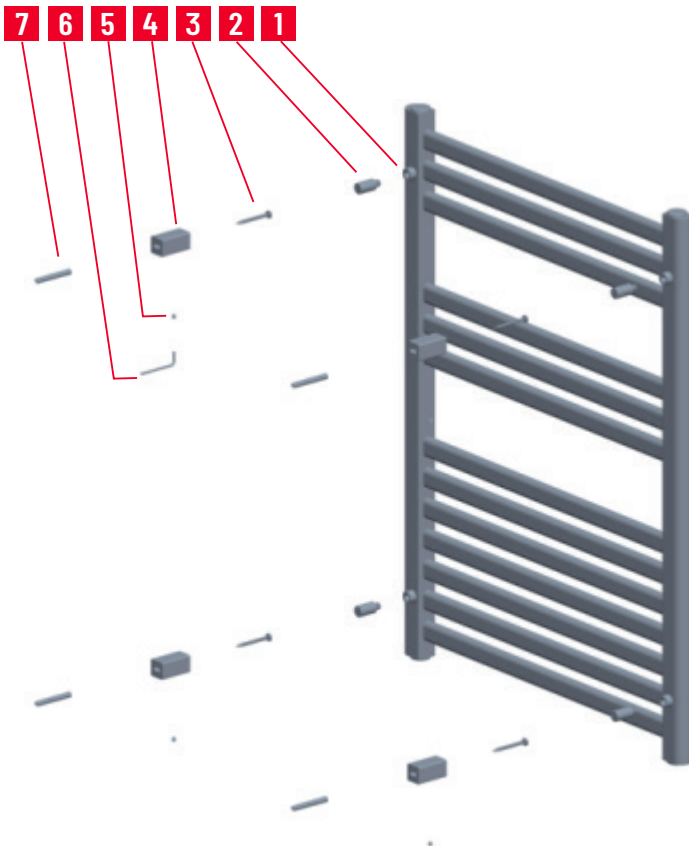
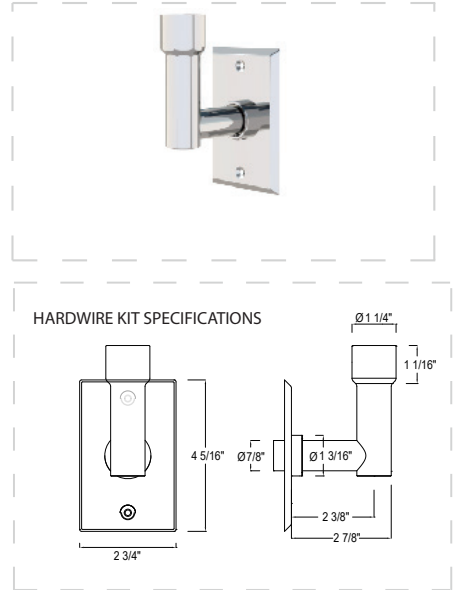
DAL-0800600



DAL-1200600



Vernon Towel Warmer Hardwire Kit Round -PC
 Code: VTW-HWK-RD-PC



Installation Diagram 3 - Dallas

1. Solid fixing lug
2. Wall support core
3. Wall screw
4. Wall support
5. Grub screw
6. Allen Key
7. Wall plug

TIMERS AVAILABLE



VPT24-1PZ



DDS15-BDZ



Distributed by Kartners Bathroom Accessories
 toll free number: 1-877-490-3537
 website: www.vernontowelwarmers.com

Email: support@vernontowelwarmers.com