

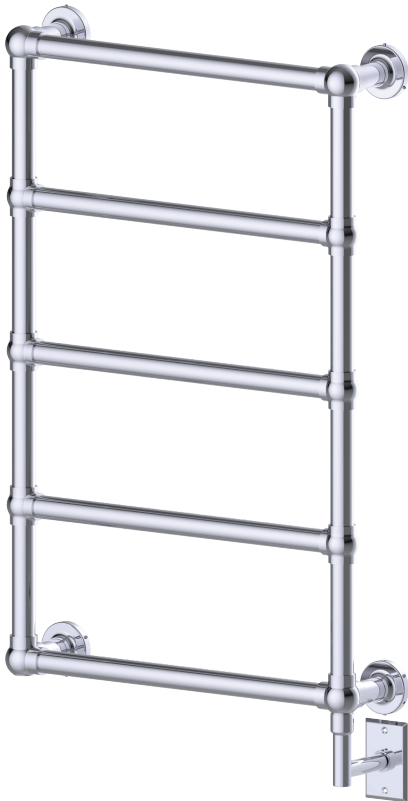


Towel Warmers

PRODUCT SPECIFICATION SHEET

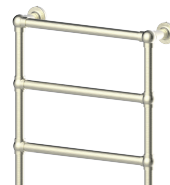
TUCSON SERIES TOWEL WARMER

Chauffe-serviettes
Calentador de toallas



● POLISHED CHROME (PC)
TUS-0920600-PC

STOCKED FINISHES



● BRUSHED NICKEL (BN)
TUS-0920600-BN



● POLISHED NICKEL (PN)
TUS-0920600-PN

FEATURES

- Wall Mounted
- Hardwire Installation Kit
- Mounting Instruction
- All Electric and Oil Filled
- Cover Plates

Timers available separately (not included)

SIZES

920 x 600 mm

SEE PAGE 2 FOR SPECIFICATION DRAWINGS

Product Code	Finishes	Sizes (mm)		Sizes (Inches)		Output (Watts / BTU)	Element Size	Number of Bars
		Height	Width	Height	Width			
TUS-0920600	PC, BN, PN	920	600	36.62	23.62	208 / 709	300W	5



NOTE: Dimensions and specifications are subject to change without notice.



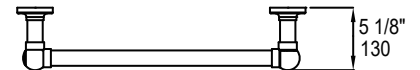
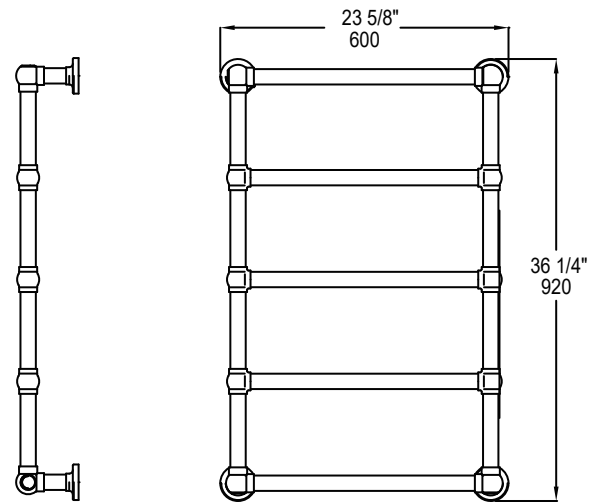
Towel Warmers

PRODUCT SPECIFICATION SHEET

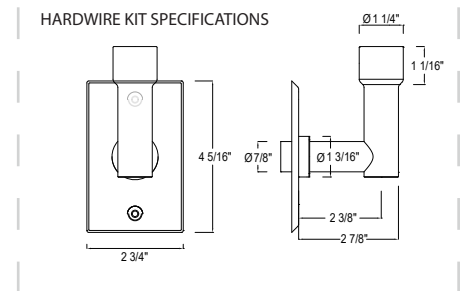
TUCSON SERIES TOWEL WARMER

Chauffe-serviettes
Calentador de toallas

TUS-0920600



Vernon Towel Warmer Hardwire Kit Round -PC
Code: VTW-HWK-RD-PC



TIMERS AVAILABLE

Visit verrontowelwarmers.com for details

