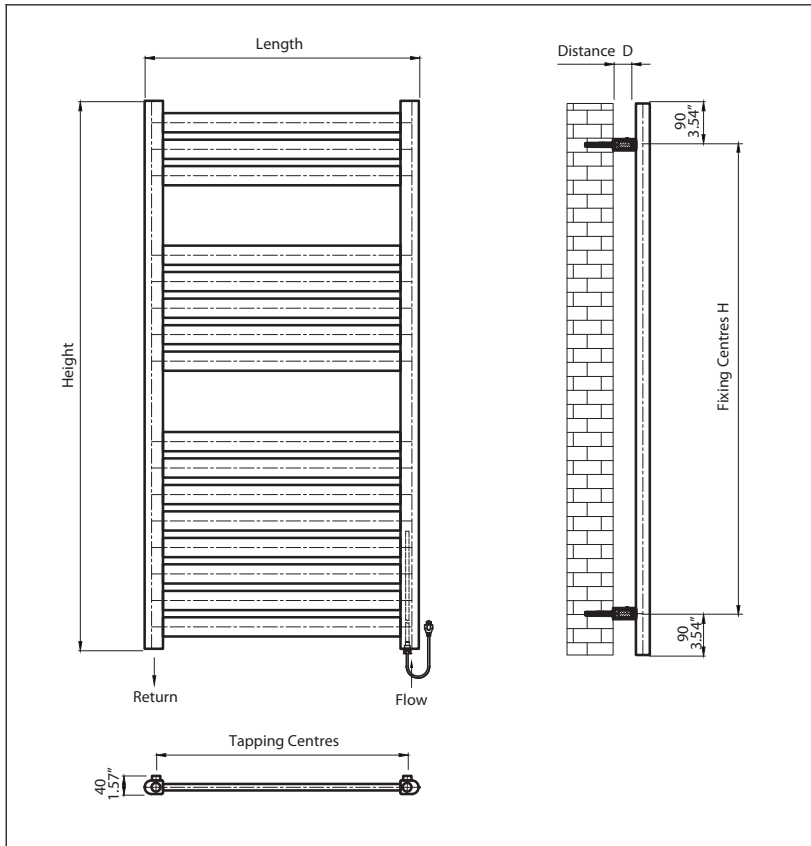




Towel Warmers

HOUSTON

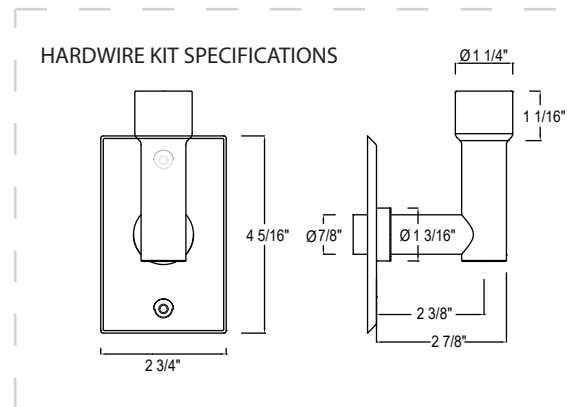
Towel warmer
 Chauffe-serviettes
 Calentador de toallas



- All the dimensions are shown in millimetres/inch
- Horizontal Tube 42mmx14mm
- Vertical Tube 40mmx30mmxR15
- Bracket length - 27mm
- Rated 100,150,300 or 400W dependent on model
- Suitable for 120V supply, three wire connection
- The electric towel rails conform to: the requirements of UL499 CSA C22.2 No.60335-1 and E60335-2-43

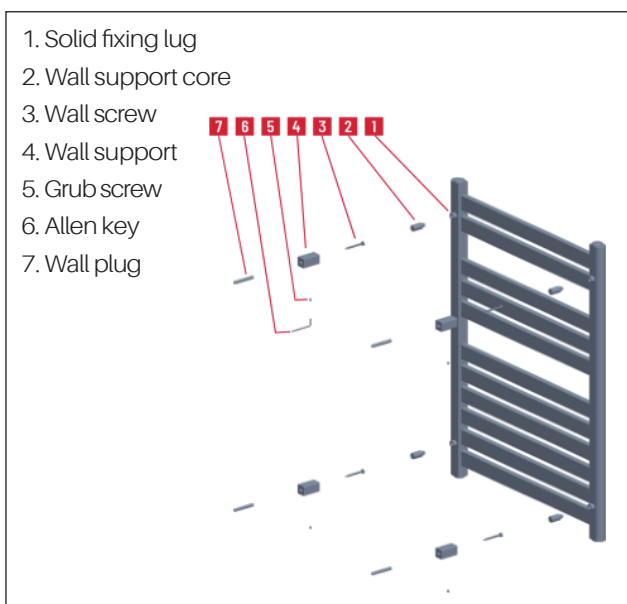
Please Note:

- All towel warmers contain a factory - filled glycol mixture
- Not suitable for use on domestic hot water system
- Before starting, ensure situation and orientation



| Vernon | Weight (KG) | Tapping Centres (mm)/inch | Fixing Centres (H) (mm)/inch | Distance (D) (mm)/inch | Height (mm)/inch | Length (mm)/inch |
|-------------|-------------|---------------------------|------------------------------|------------------------|------------------|------------------|
| HOU-0800600 | 15.10 | 550/21.65" | 620/24.41" | 60/2.36" | 800/31.5" | 600/23.62" |
| HOU-1200600 | 20.16 | 550/21.65" | 1020/40.16" | 60/2.36" | 1200/47.24" | 600/23.62" |

Installation:



Step 1: Select the desired mounting position, make sure the wall is adequate to take the fixing points of the rail i.e anchor points must be securely attached to a stud or masonry.

Step 2: Loosely screw the wall support into the wall using the wall screw and washer. Use wall plug if you are fixing into masonry. Do not tighten fully.

Step 3: Manoeuvre the rail back onto the bracket and tighten with the grub screw.

Cleaning:

- Do not use any abrasive or chemical cleaners to clean the radiators as this will cause damage to the surface finish. Please use warm water and a damp cloth.
- Do not clean when hot.

