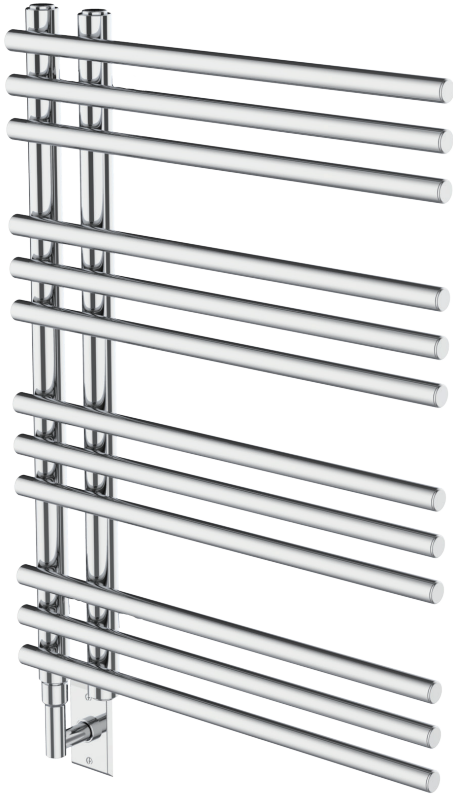


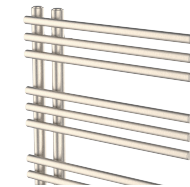
LAS VEGAS SERIES TOWEL WARMER

Chauffe-serviettes
Calentador de toallas

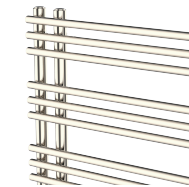


● POLISHED CHROME (PC)
LAS-0800600-PC

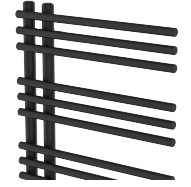
STOCKED FINISHES



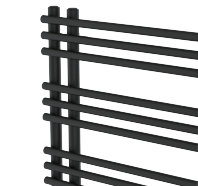
● BRUSHED NICKEL (BN)
LAS-0800600-BN



● POLISHED NICKEL (PN)
LAS-0800600-PN



● MATTE BLACK (MB)
LAS-0800600-MB



● MATTE BLACK SMOOTH (MBS)
LAS-0800600-MBS

FEATURES

- Wall Mounted
- Hardwire Installation Kit
- Mounting Instruction All
- Electric and Fluid Filled
- Cover Plates

Timers available separately (not included)

SIZES

800 x 600 mm
1200 x 600 mm

SEE PAGE 2 FOR SPECIFICATION DRAWINGS

Product Code	Finishes	Sizes (mm)		Sizes (Inches)		Output (Watts / BTU)	Element Size	Number of Bars
		Height	Width	Height	Width			
LAS-0800600	PC, BN, PN	800	600	31.5	23.62	XXX / XXX	300W	12
LAS-0800600	MB, MBS	800	600	31.5	23.62	367 / 1254	300W	12
LAS-1200600	PC, BN, PN	1200	600	47.24	23.62	XXX/ XXXX	400W	18
LAS-1200600	MB, MBS	1200	600	47.24	23.62	551 / 1881	400W	18



NOTE: Dimensions and specifications are subject to change without notice.

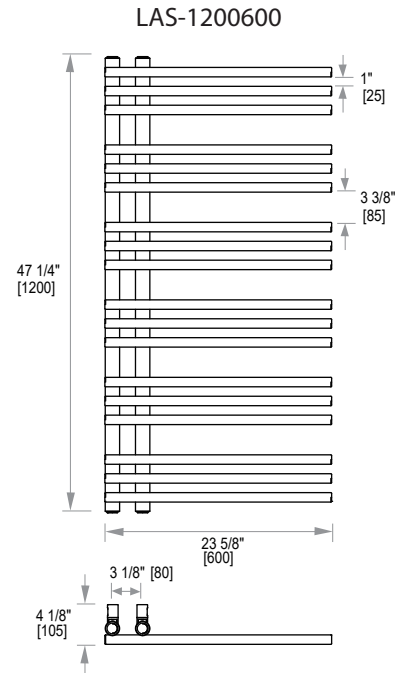
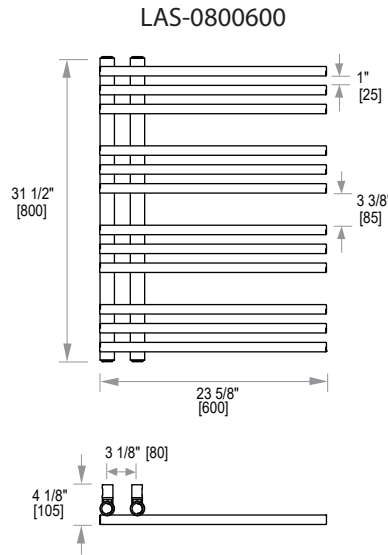


Towel Warmers

PRODUCT SPECIFICATION SHEET

LAS VEGAS SERIES TOWEL WARMER

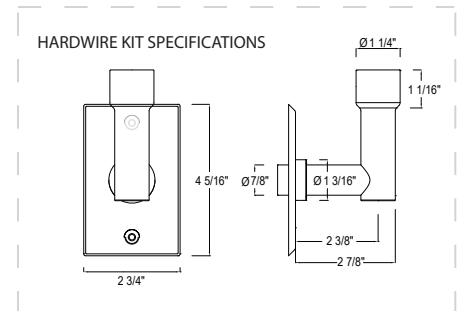
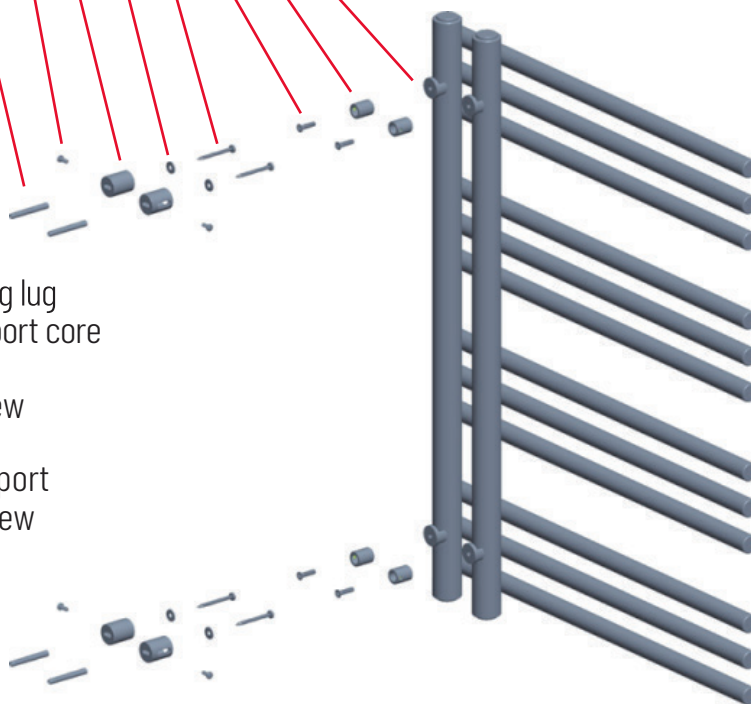
Chauffe-serviettes
Calentador de toallas



Vernon Towel Warmer Hardwire Kit Round -PC
Code: VTW-HWK-RD-PC

- 8
- 7
- 6
- 5
- 4
- 3
- 2
- 1

1. Solid fixing lug
2. Wall support core
3. Screw
4. Wall screw
5. Washer
6. Wall support
7. Grub screw
8. Wall plug



TIMERS AVAILABLE

Visit verrontowelwarmers.com for details



NOTE: Dimensions and specifications are subject to change without notice.