

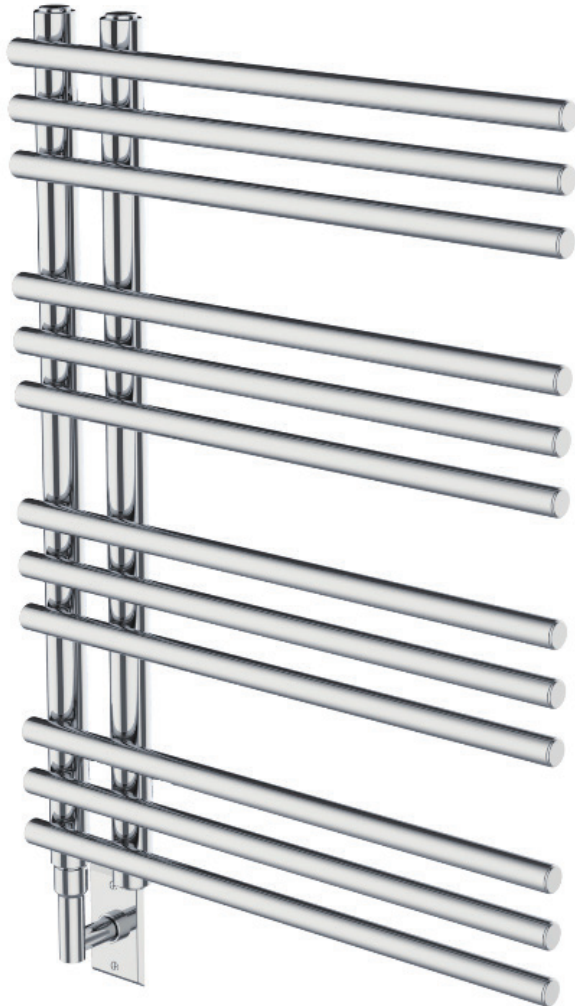


LAS VEGAS
Towel Warmer
Chauffe-serviettes
Calentador de toallas

PRODUCT SPECIFICATION SHEET

LAS VEGAS SERIES

LAS-0800600-PC



FEATURES

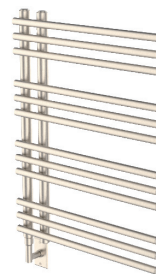
- WALL MOUNTED
 - HARDWIRE INSTALLATION KIT
 - MOUNTING INSTRUCTIONS
 - ALL ELECTRIC AND OIL FILLED
 - COVER PLATES
- TIMERS AVAILABLE SEPARATELY (NOT INCLUDED)

SIZES

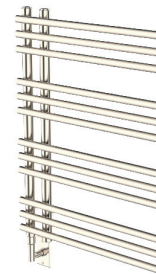
- 800x600 MM
- 1200x600 MM

STOCKED FINISHES

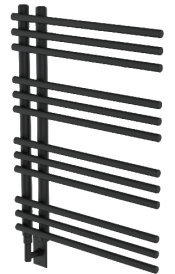
- POLISHED CHROME (PC)
- POLISHED NICKEL (PN)
- BRUSHED NICKEL (BN)
- MATTE BLACK (MB)



LAS-0800600-BN



LAS-0800600-PN



LAS-0800600-MB

SEE OVER FOR SPECIFICATION DRAWINGS

Product Code	Finishes	Sizes (mm)		Sizes (Inches)		Output (Watts/BTU)	Element Size	Number of Elements
		Height	Width	Height	Width			
LAS -0800600	PC, PN, MB, BN	800	600	31.50	23.62	265/903	150W	12
LAS -1200600	PC, PN, MB, BN	1200	600	47.24	23.62	404/1378	300W	18



Distributed by Kartners Bathroom Accessories
toll free number: 1-877-490-3537
website: www.vernontowelwarmers.com

Email: support@vernontowelwarmers.com

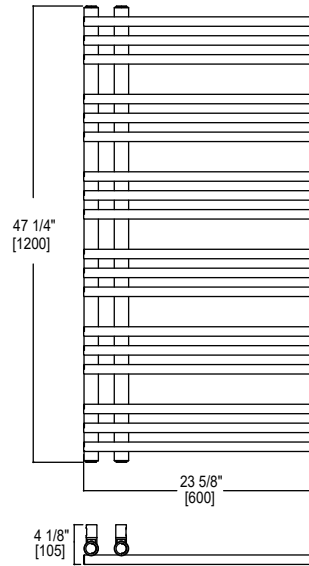
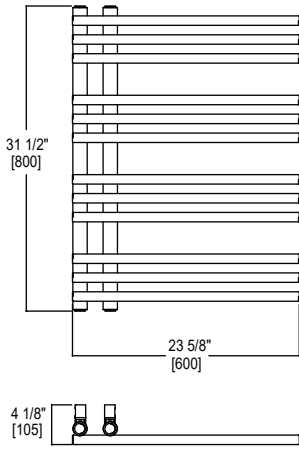


LAS VEGAS
Towel Warmer
Chauffe-serviettes
Calentador de toallas

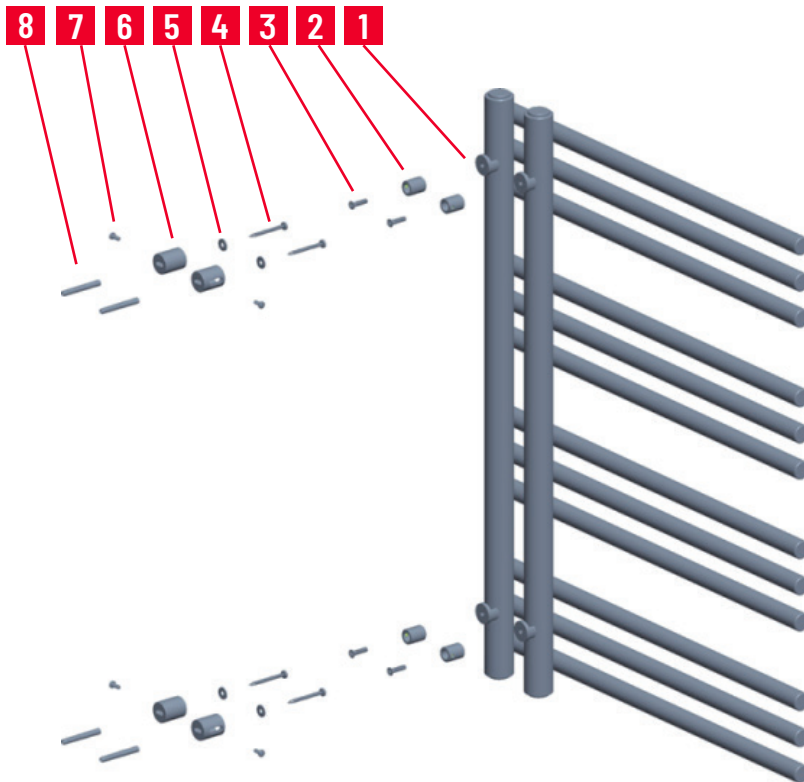
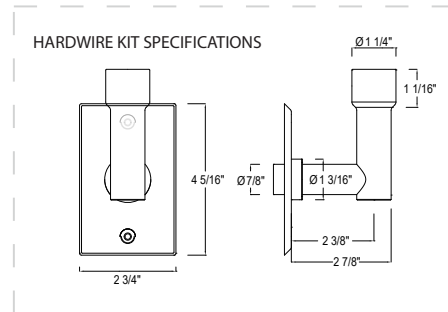
PRODUCT SPECIFICATION SHEET

LAS-0800600

LAS-1200600



Vernon Towel Warmer Hardwire Kit Round -PC
Code: VTW-HWK-RD-PC



Installation Diagram 4
- Las Vegas

1. Solid fixing lug
2. Wall support core
3. Screw
4. Wall screw
5. Washer
6. Wall support
7. Grub screw
8. Wall plug

TIMERS AVAILABLE



VPT24-1PZ



DDS15-BDZ



Distributed by Kartners Bathroom Accessories
toll free number: 1-877-490-3537
website: www.vernontowelwarmers.com

Email: support@vernontowelwarmers.com