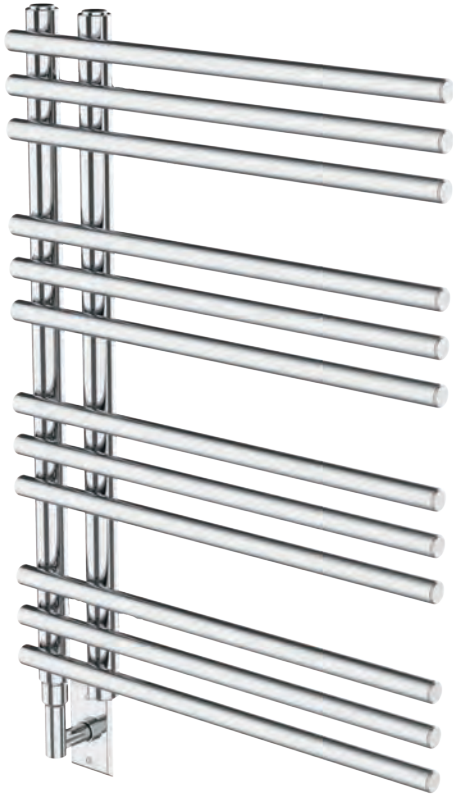


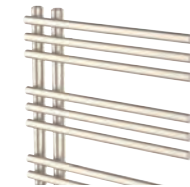
# LAS VEGAS SERIES TOWEL WARMER

Chauffe-serviettes  
Calentador de toallas

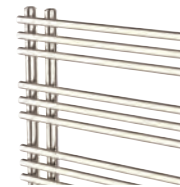


● POLISHED CHROME (PC)  
LAS-0800600-PC

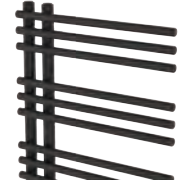
## STOCKED FINISHES



● BRUSHED NICKEL (BN)  
LAS-0800600-BN



● POLISHED NICKEL (PN)  
LAS-0800600-PN



● MATTE BLACK (MB)  
LAS-0800600-MB

## FEATURES

- Wall Mounted
- Hardwire Installation Kit
- Mounting Instruction
- All Electric and Oil Filled
- Cover Plates

Timers available separately (not included)

## SIZES

800 x 600 mm  
1200 x 600 mm

## SEE PAGE 2 FOR SPECIFICATION DRAWINGS

Product Code	Finishes	Sizes (mm)		Sizes (Inches)		Output ( Watts / BTU)	Element Size	Number of Elements
		Height	Width	Height	Width			
LAS-0800600	PC, BN, PN, MB	800	600	31.5	23.62	265 / 903	150W	12
LAS-1200600	PC, BN, PN, MB	1200	600	47.24	23.62	404 / 1378	300W	18



NOTE: Dimensions and specifications are subject to change without notice.

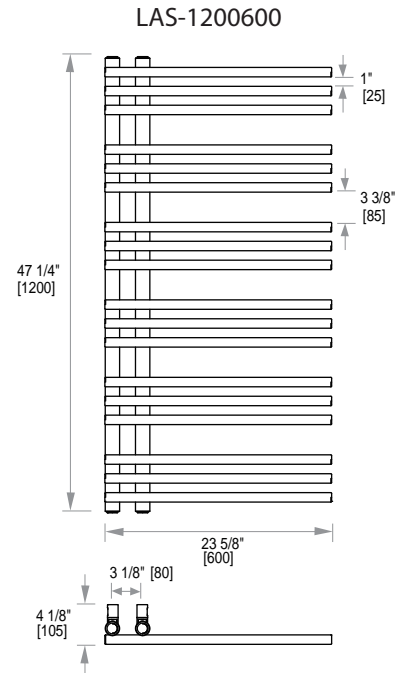
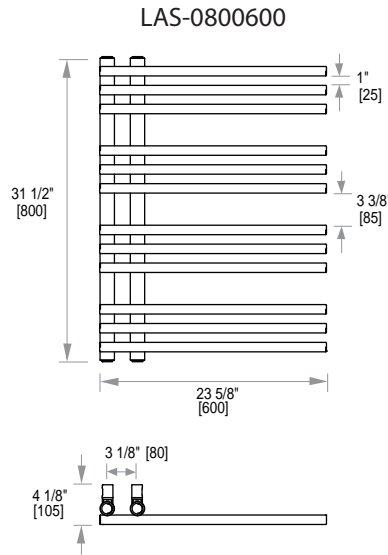


Towel Warmers

# PRODUCT SPECIFICATION SHEET

## LAS VEGAS SERIES TOWEL WARMER

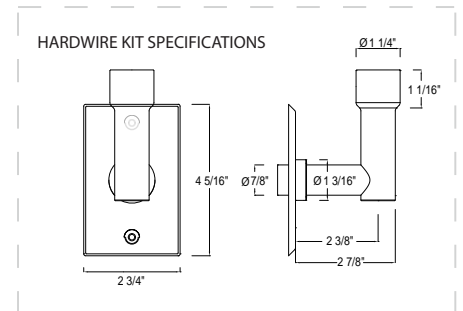
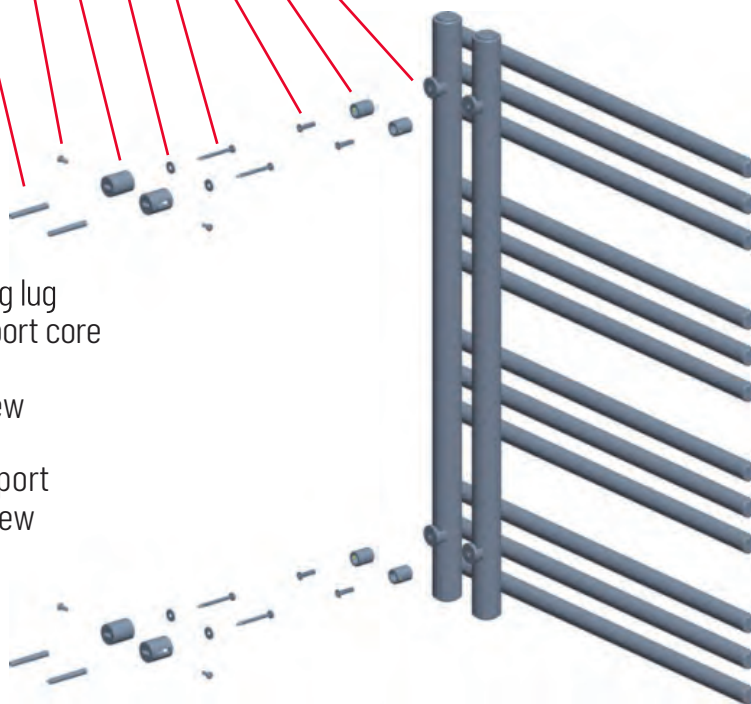
Chauffe-serviettes  
Calentador de toallas



Vernon Towel Warmer Hardwire Kit Round -PC  
Code: VTW-HWK-RD-PC

- 8
- 7
- 6
- 5
- 4
- 3
- 2
- 1

1. Solid fixing lug
2. Wall support core
3. Screw
4. Wall screw
5. Washer
6. Wall support
7. Grub screw
8. Wall plug



**TIMERS AVAILABLE**

Visit [verrontowelwarmers.com](http://verrontowelwarmers.com) for details



NOTE: Dimensions and specifications are subject to change without notice.