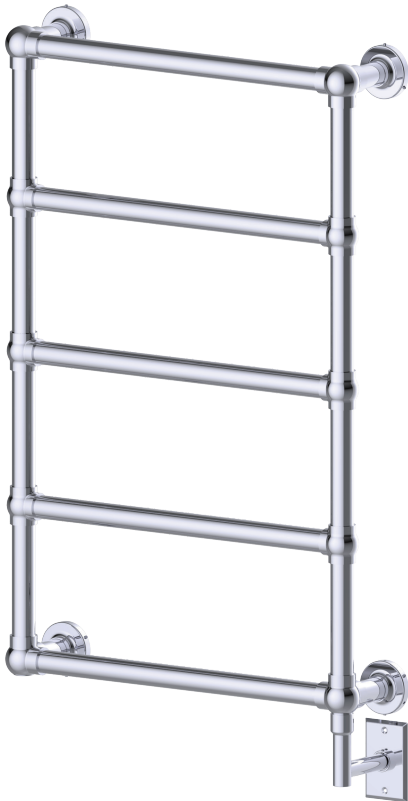


# TUCSON SERIES TOWEL WARMER

Chauffe-serviettes  
Calentador de toallas



● POLISHED CHROME (PC)  
TUS-0920600-PC

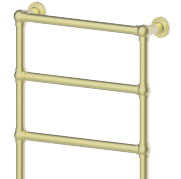
## STOCKED FINISHES



● BRUSHED NICKEL (BN)  
TUS-0920600-BN



● POLISHED NICKEL (PN)  
TUS-0920600-PN



● BRUSHED BRASS (BB)  
TUS-0920600-BB

## FEATURES

- Wall Mounted
- Hardwire Installation Kit
- Mounting Instruction All
- Electric and Fluid Filled
- Cover Plates

Timers available separately (not included)

## SIZES

920 x 600 mm

## SEE PAGE 2 FOR SPECIFICATION DRAWINGS

Product Code	Finishes	Sizes (mm)		Sizes (Inches)		Output (Watts / BTU)	Element Size	Number of Bars
		Height	Width	Height	Width			
TUS-0920600	PC, BN, PN, BB	920	600	36.62	23.62	208 / 709	300W	5



NOTE: Dimensions and specifications are subject to change without notice.



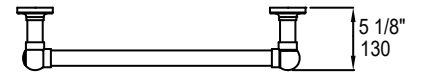
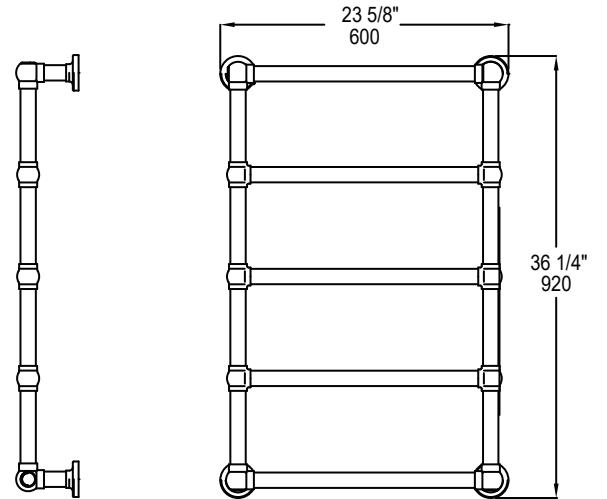
Towel Warmers

# PRODUCT SPECIFICATION SHEET

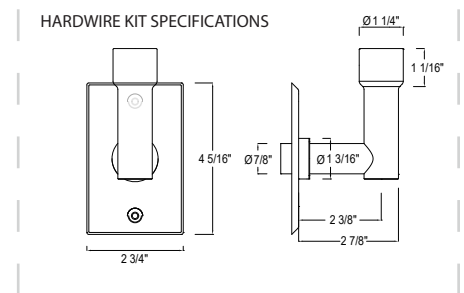
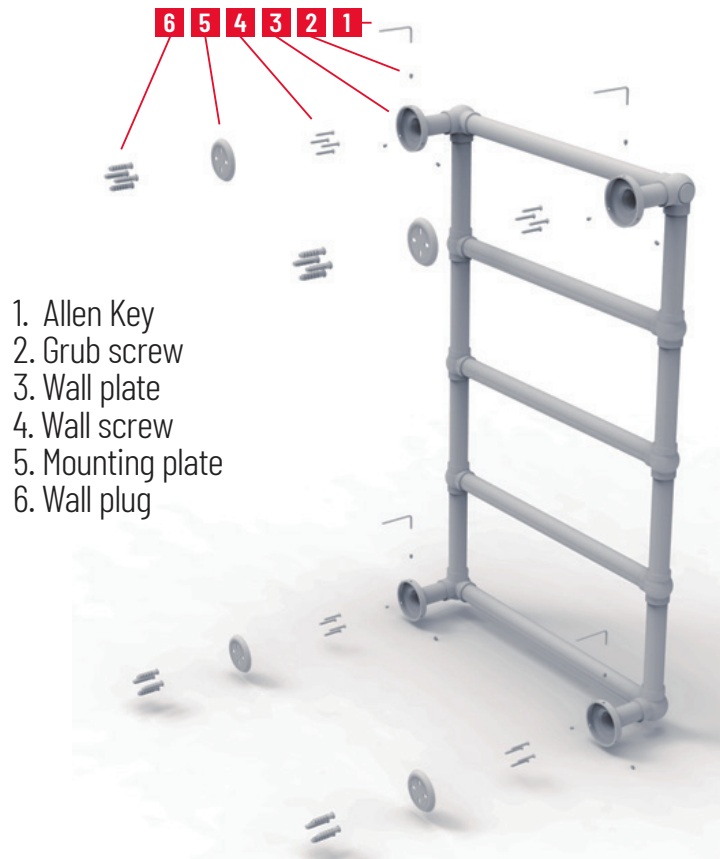
## TUCSON SERIES TOWEL WARMER

Chauffe-serviettes  
Calentador de toallas

TUS-0920600



Vernon Towel Warmer Hardwire Kit Round -PC  
Code: VTW-HWK-RD-PC



**TIMERS AVAILABLE**

Visit [vernantowelwarmers.com](http://vernantowelwarmers.com) for details



NOTE: Dimensions and specifications are subject to change without notice.