

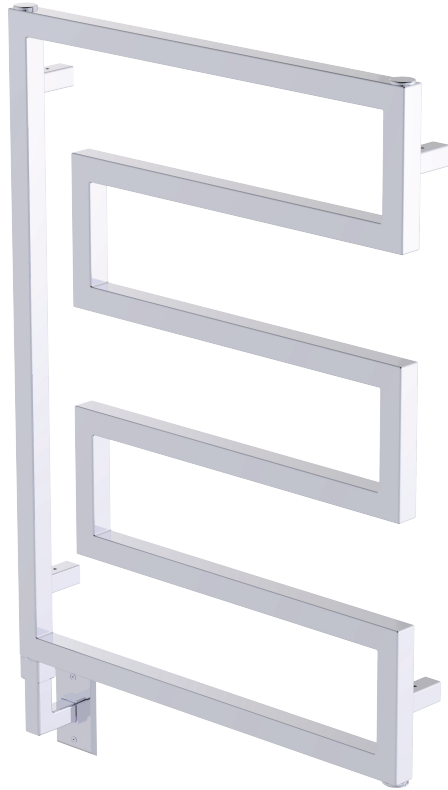


NASHVILLE
Towel Warmer
Chauffe-serviettes
Calentador de toallas

PRODUCT SPECIFICATION SHEET

NASHVILLE SERIES

BNA-0800500-PC



FEATURES

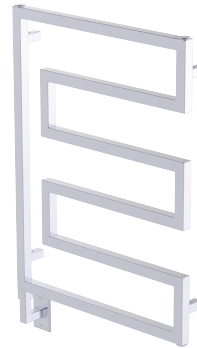
- WALL MOUNTED
 - HARDWIRE INSTALLATION KIT
 - MOUNTING INSTRUCTIONS
 - ALL ELECTRIC AND OIL FILLED
 - COVER PLATES
- TIMERS AVAILABLE SEPARATELY (NOT INCLUDED)

SIZES

- 800x600 MM
- 1200x600 MM

STOCKED FINISHES

- POLISHED CHROME (PC)
- MATTE BLACK SMOOTH (MBS)



BNA-0800600-PC



BNA-0800500-MBS

SEE OVER FOR SPECIFICATION DRAWINGS

Product Code	Finishes	Sizes (mm)		Sizes (Inches)		Output (Watts/BTU)	Element Size	Number of Elements
		Height	Width	Height	Width			
BNA-0800600	PC,MBS	800	600	31.5	19.69	265 / 903	150W	6
BNA-1200600	PC,MBS	1200	600	47.24	23.62	404 / 1378	300W	8



Distributed by Kartners Bathroom Accessories
toll free number: 1-877-490-3537
website: www.vernontowelwarmers.com

Email: support@vernontowelwarmers.com

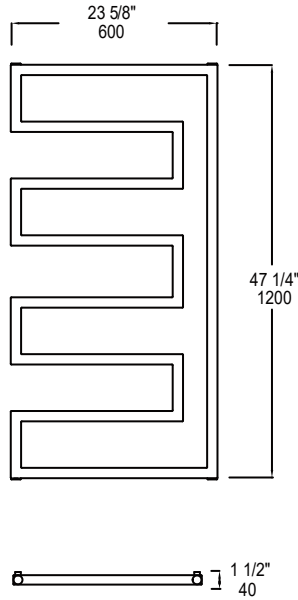
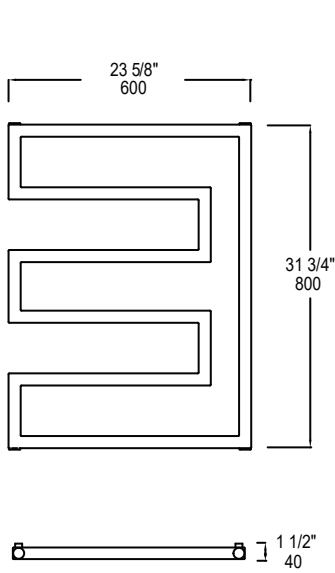


NASHVILLE
Towel Warmer
Chauffe-serviettes
Calentador de toallas

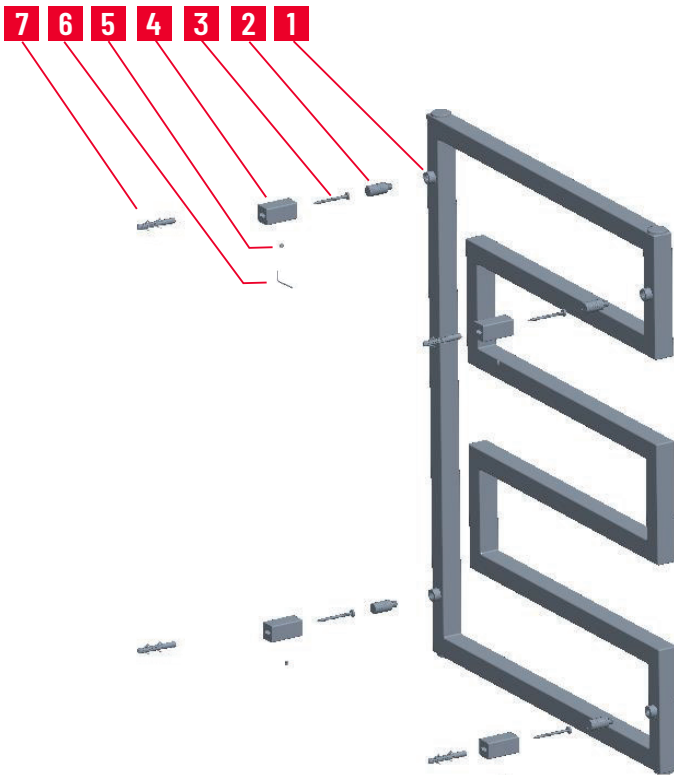
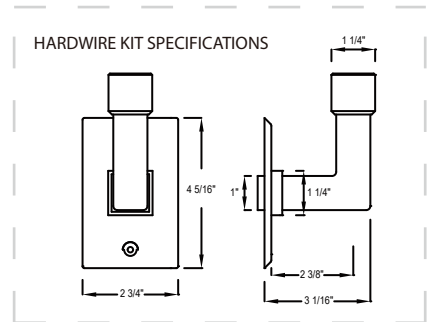
PRODUCT SPECIFICATION SHEET

BNA-0800600

BNA-1200600



Vernon Towel Warmer Hardwire Kit Square -PC
Code: VTW-HWK-SQ-PC



**Installation
Diagram 3
- Boston**

1. Solid fixing lug
2. Wall support core
3. Wall screw
4. Wall support
5. Grub screw
6. Allen Key
7. Wall plug

TIMERS AVAILABLE



VPT24-1PZ



DDS15-BDZ



Distributed by Kartners Bathroom Accessories
toll free number: 1-877-490-3537
website: www.vernontowelwarmers.com

Email: support@vernontowelwarmers.com