



TAMPA
Towel Warmer
Chauffe-serviettes
Calentador de toallas

PRODUCT SPECIFICATION SHEET

TAMPA SERIES

TPA-0800600-PC



FEATURES

- WALL MOUNTED
 - HARDWIRE INSTALLATION KIT
 - MOUNTING INSTRUCTIONS
 - ALL ELECTRIC AND OIL FILLED
 - COVER PLATES
- TIMERS AVAILABLE SEPARATELY (NOT INCLUDED)

SIZES

- 800 x 500 MM
- 1200 x 600 MM

STOCKED FINISHES

- POLISHED CHROME (PC)
- MATTE BLACK SMOOTH (MBS)
- MATTE WHITE (MW)



TPA-0800600-PC



TPA-0800600-MBS



TPA-0800600-MW

SEE OVER FOR SPECIFICATION DRAWINGS

Product Code	Finishes	Sizes (mm)		Sizes (Inches)		Output (Watts/BTU)	Element Size	Number of Elements
		Height	Width	Height	Width			
TPA-0800600	PC,MBS, MW	800	600	31.5	23.62	265 / 903	150W	17
TPA-1200600	PC,MBS, MW	1200	600	47.24	23.62	404 / 1378	300W	25



Distributed by Kartners Bathroom Accessories
toll free number: 1-877-490-3537
website: www.vernontowelwarmers.com

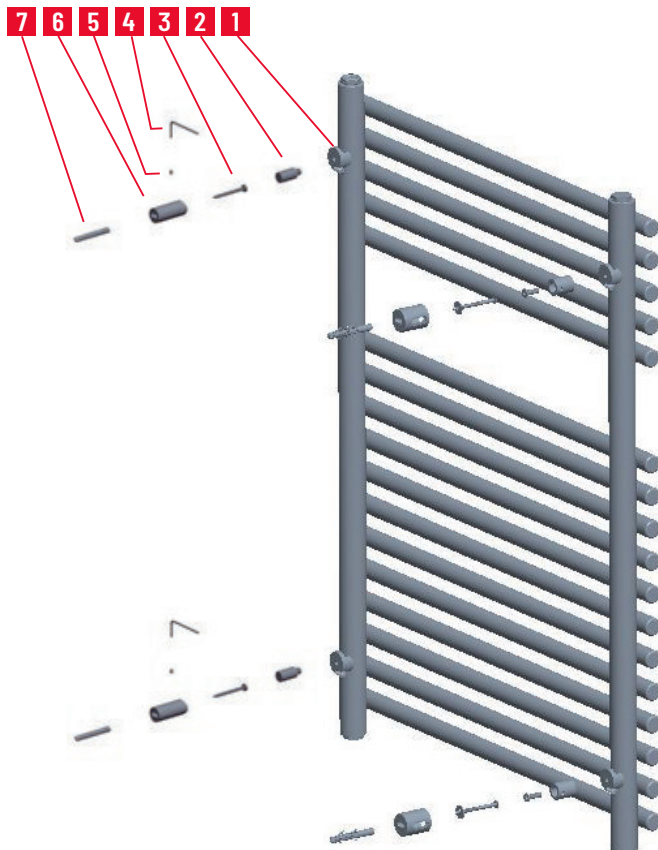
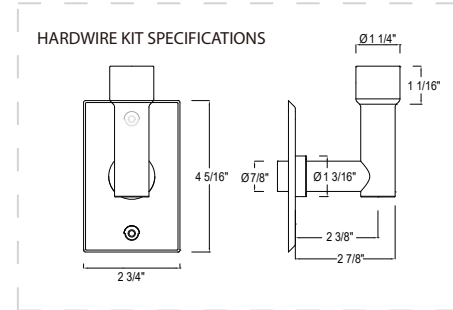
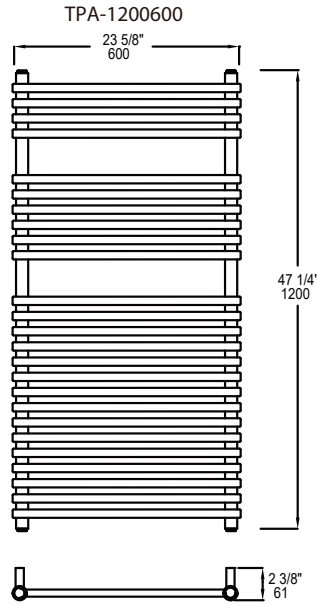
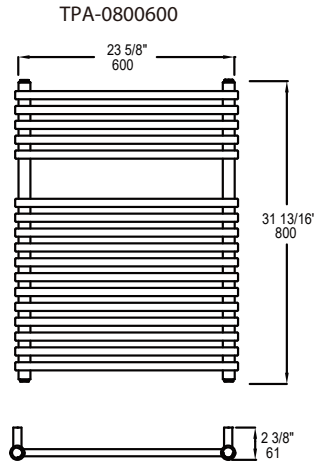
Email: support@vernontowelwarmers.com

TAMPA

Towel Warmer
 Chauffe-serviettes
 Calentador de toallas

PRODUCT SPECIFICATION SHEET

Vernon Towel Warmer Hardwire Kit Round -PC
 Code: VTW-HWK-RD-PC



Installation Diagram 3 - Seattle

1. Solid fixing lug
2. Wall support core
3. Wall screw
4. Allen key
5. Grub screw
6. Wall support
7. Wall plug

TIMERS AVAILABLE



VPT24-1PZ



DDS15-BDZ