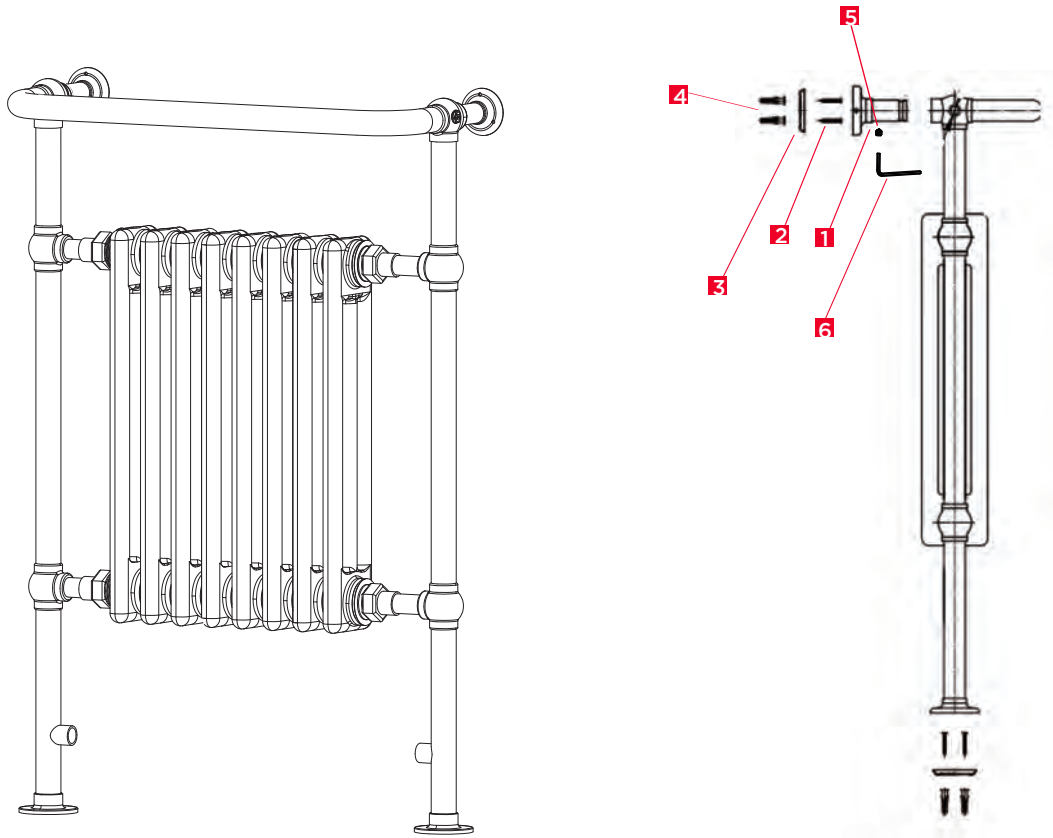




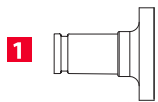
Towel
Warmers

Victoria Installation Manual





Accessories



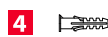
Post Bracket
2 pcs



Wall Screw
16 pcs



Backing Plate
4 pcs



Wall Plug
16 pcs



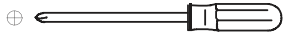
Set Screw
2 pcs



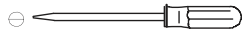
Allen Key
1 pcs

Required Tools

STARHEAD SCREWDRIVERS



FLAT HEAD SCREWDRIVERS

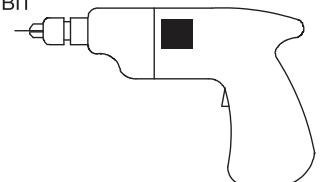


MEASURING TAPE



DRILL & BIT

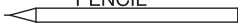
5/16" Diameter



LEVEL



PENCIL

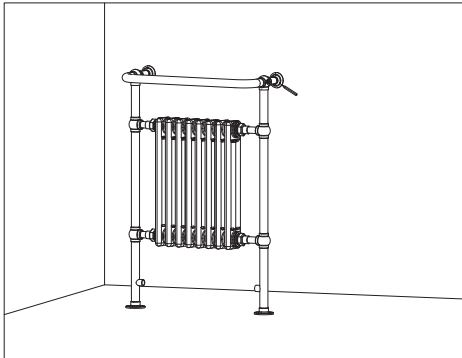




Towel Warmers

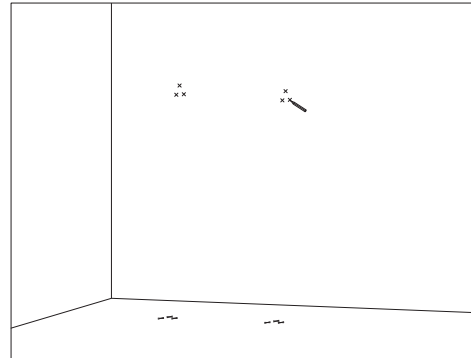
VICTORIA Towel Warmer Installation

- Read the instruction sheet carefully before installation.
- Installation should be completed by a professional.
- Please dispose of the packaging properly.



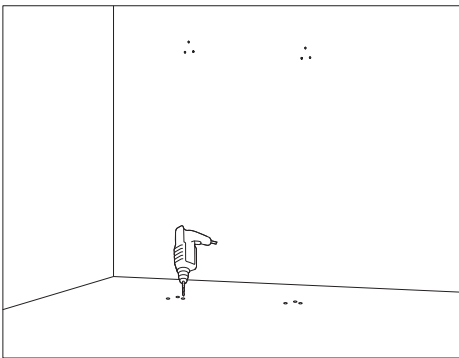
Step 1

Use tape to measure the distance between the center points of each wall bracket. Mark the brackets with a pencil.



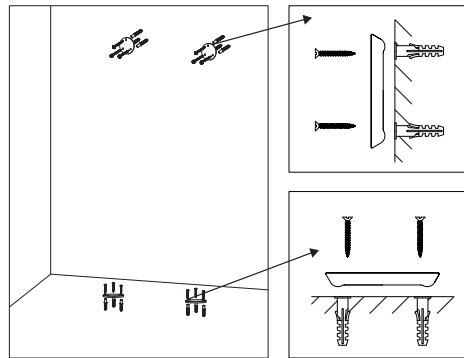
Step 2

Mark the holes on both the wall and floor with a pencil.



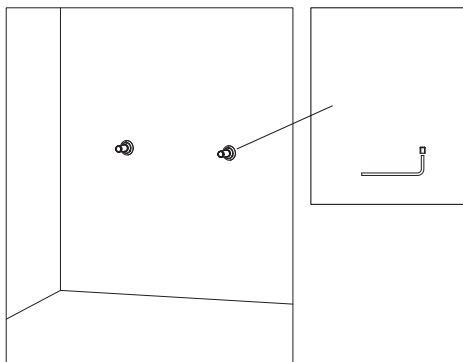
Step 3

Drill the holes with an appropriately sized bit.



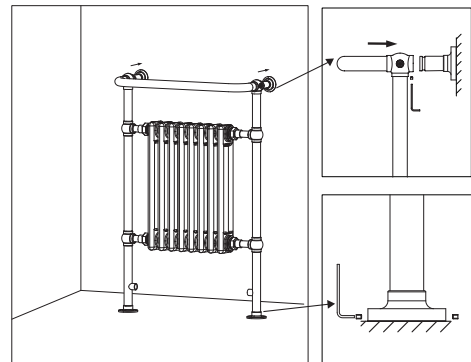
Step 4

Insert the wall plugs into the holes. Position the backing plate over the plugs and secure it with screws.



Step 5

Mount the brackets onto the backing plates, using an Allen key to tighten the screws securely.

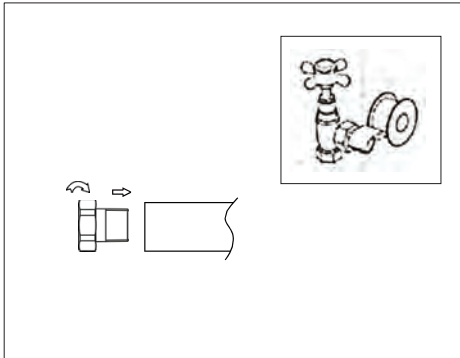


Step 6

Install the towel warmer onto the brackets and secure it with the set screws.

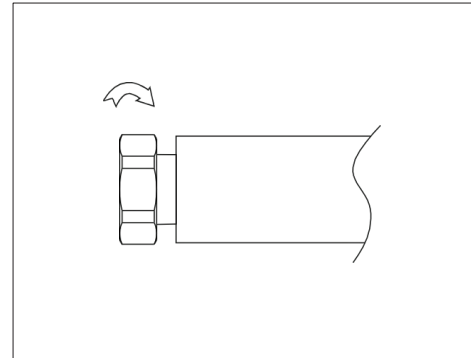
VICTORIA Valves & Pipe Kits Installation

- Read the instruction sheet carefully before installation.
- Installation should be completed by a professional.
- Please dispose of the packaging properly.



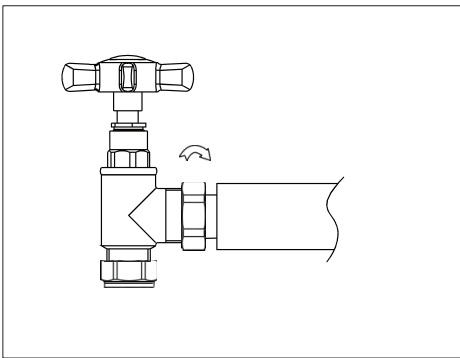
Step 1

Wrap PTFE tape clockwise around the tail thread, then screw the threaded end into the towel warmer securely.



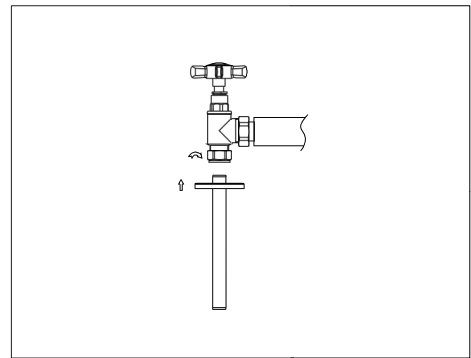
Step 2

Tighten the nut on the tail thread using an appropriate tool, typically an Allen key



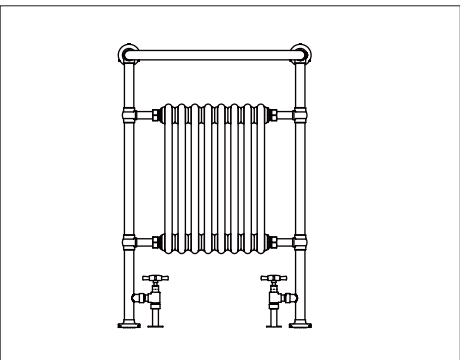
Step 3

Attach the valve by hand and turn it to the correct position, then tighten it using an appropriate tool, usually a spanner.



Step 4

Insert the pipe, ensuring that the water supply pipes are prepared to match the dimensions of the towel warmer and valve. Then, tighten the nut to secure the pipe in position.



Step 5

Repeat these steps for the other side, then connect the towel warmer to the central heating system.